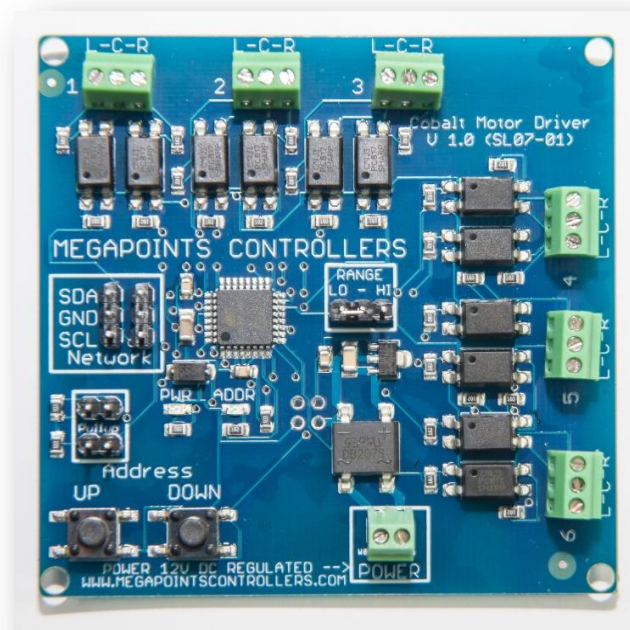


Cobalt digital driver by MegaPoints Controllers

A driver board for Cobalt digital motors.



User guide

Revision 1 September 2018

© MegaPoints Controllers 2018

Email: info@megapointscontrollers.com

Contents

Cobalt digital driver Board	3
Introduction	3
The driver board provides electrical isolation with the Cobalt digital motor.....	3
Hooking up	3
Network	4
Jumpers.....	4
Range jumper	4
Factory reset	4
Contacting us	5

Cobalt digital driver Board

Introduction

The intelligent Cobalt digital driver board is capable of driving up to six Cobalt IP Digital motors from DCC Concepts.

The driver board is designed to be installed on the layout in the vicinity of the Cobalt motors and controlled either directly by our DCC module or MultiPanel Processor via the network connector.

The driver board provides electrical isolation with the Cobalt digital motor.

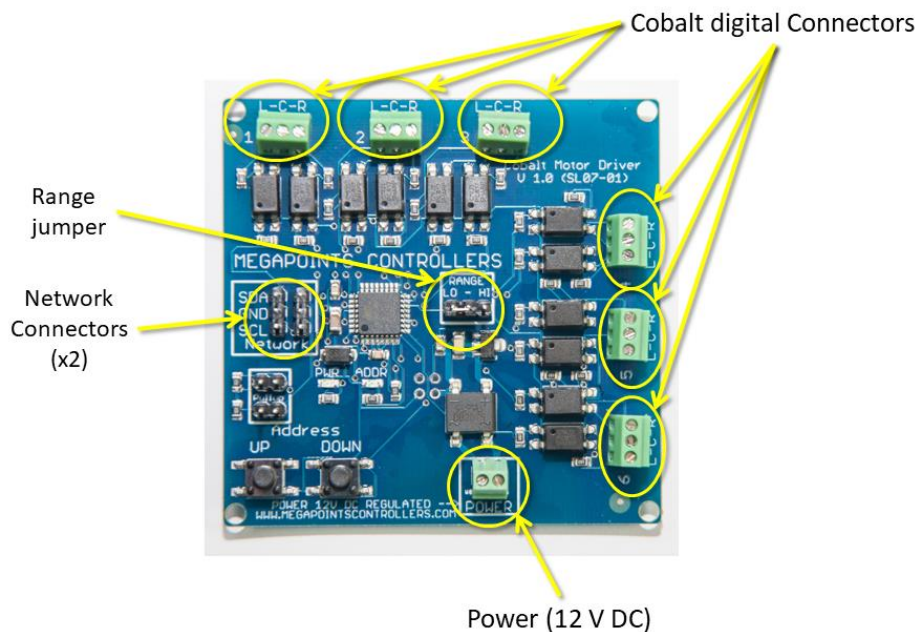
MegaPoints Controllers use static sensitive components that must be handled with care.

Avoid touching any components or the circuit printed on the bottom of the board.

Avoid placing the board on any metallic surfaces including track.

Hooking up

See the image below for details.



Power should be from a 1 Amp DC power supply of 12 Volts. The power terminals (located at the bottom) have no polarity.

Each Cobalt digital motor is connected to one of the six three way screw terminals located around the upper and right edge. Take care not to overtighten.

The motor terminals are labelled L-C-R. Connect to the PBS-L, PBS-C & PBS-R terminals of the Cobalt motor.

Network

Two network connectors are located within the “Network” bounded box. Ensure SDA connects to SDA on all network connections. Also note that all network devices must be powered up for the network to function.

Pullup terminals are provided for completeness and are activated by installing a pair of jumpers. These are supplied on two boards when purchased as part of a MultiPanel Starter kit Solenoid edition.

Jumpers

Range jumper

Each network address decodes signals for up to 12 devices (*see the Servo Controller for an example*), however the Cobalt digital board has connections for up to six Cobalt digital motors. The range jumper allows you to select the first or second six for any network address by placing the jumper in the “LO” or “HI” positions.

For example, to control up to 12 motors using channels 1-12 on a MultiPanel configure the first board on the “LO” range and the second board on the “HI” range. Both boards should use the default network address of #2.

Factory reset

The unit can be factory reset by holding down BOTH buttons while powering the unit on. You will observe the unit reboot and the default address (#2) and power (10 ms, #1) flashing on the PWR and ADDR LEDs. Factory reset is possible any time the buttons are held during power on irrespective of the jumper position.

Contacting us

Web: www.megapointscontrollers.com

Email: info@megapointscontrollers.com

Phone: 07846 409320

All parts ©MegaPoints Controllers 2018

If you have any product improvement suggestions we'd be very pleased to hear from you.

NOTE: We operate on a policy of continuous improvement. Colours, specifications and even the placement of components may vary from time to time.
